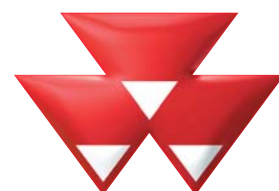
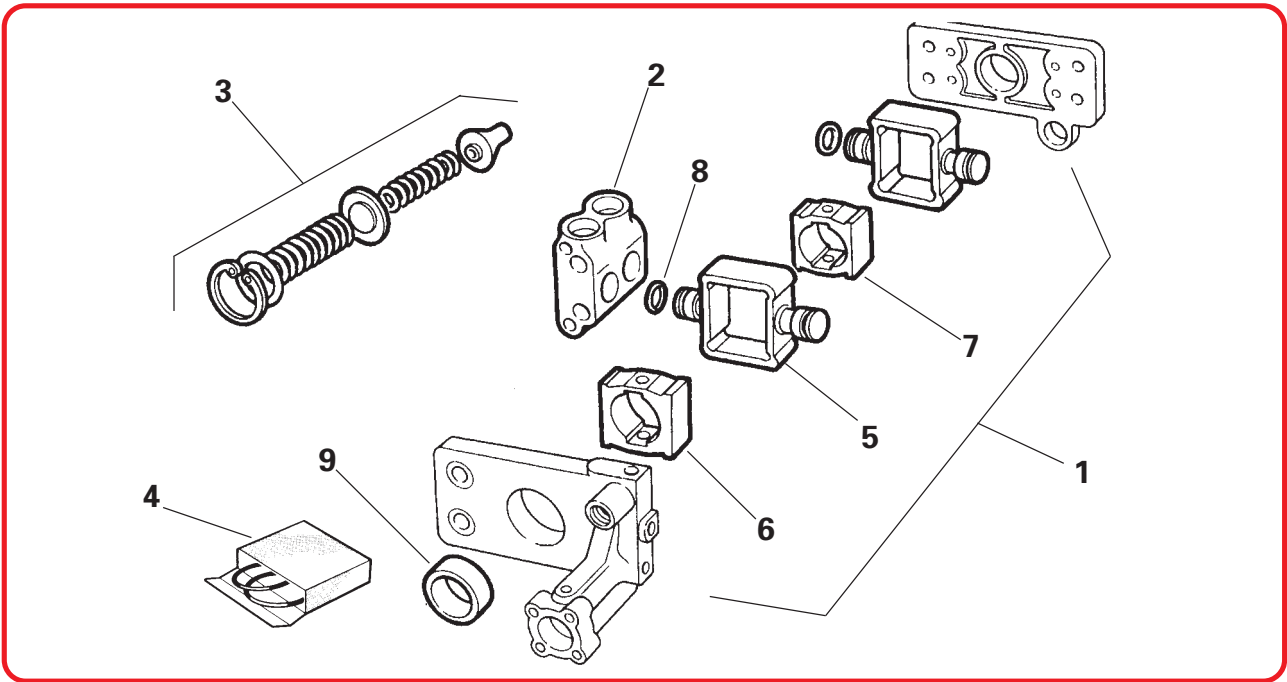


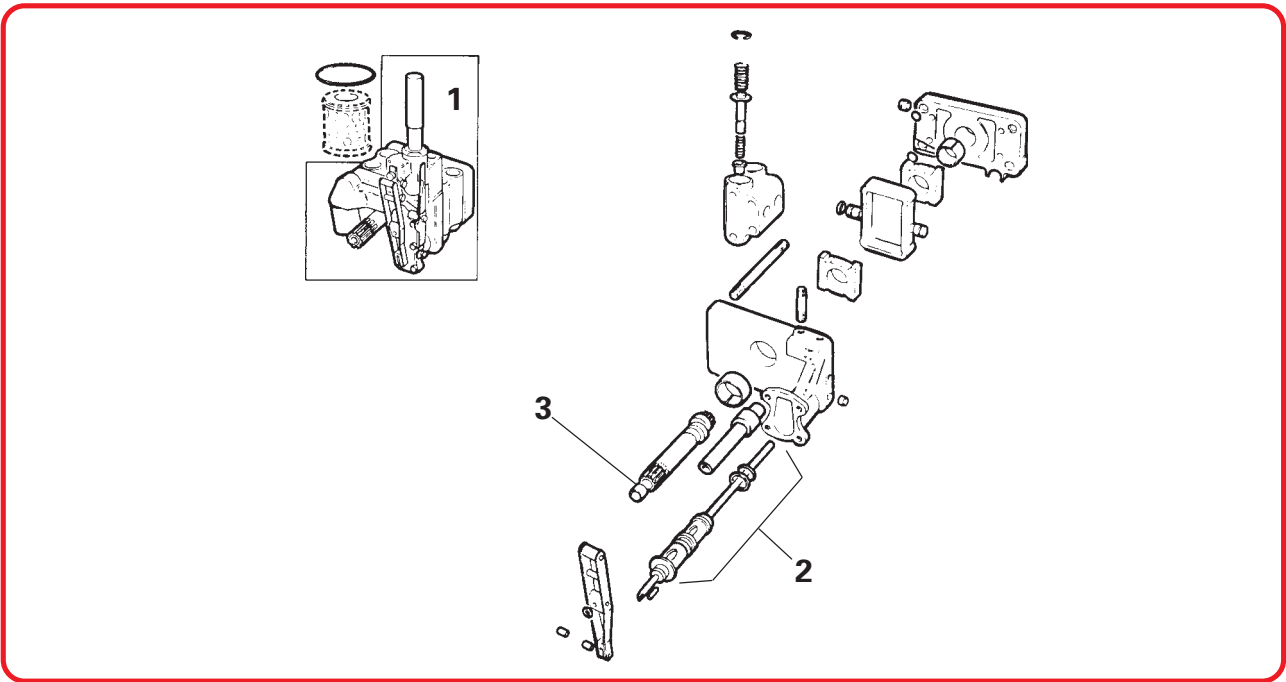
**Hydraulics/Hydraulique/Hydraulik/Equipos  
Hidráulicos/Hydraulik/Sistema Idraulico/  
Hydrauliikka/Hydraulische onderdelen**



**MASSEY FERGUSON**

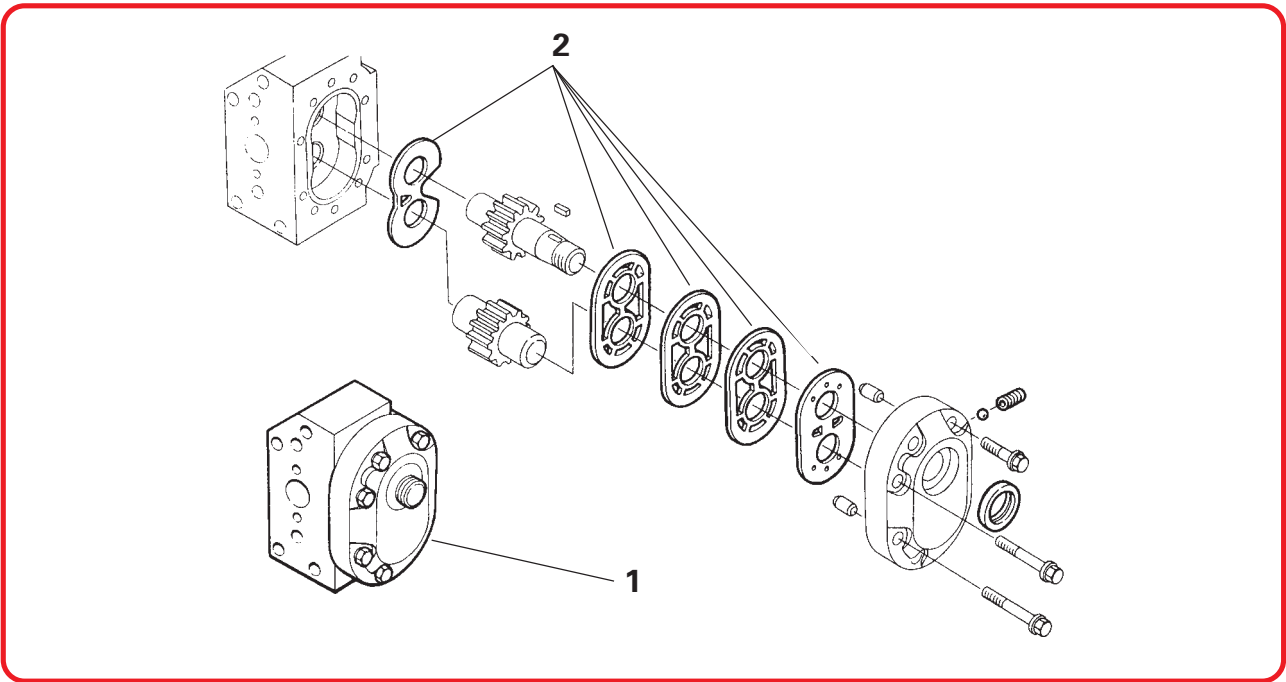


MF135, 148, 165, MF168, 175, 178, MF185, 188	Mk I/Mk II	1810858M91	897491M1	1810678M91	1810684M92	1860038M1	180924M2	180925M2	897493M1	1664491M2
MF135, 148, 165, MF168, 185, 188	Mk II	1810859M91	888702M2	1810678M91	1810684M92	1860038M1	180924M2	180925M2	897493M1	1664491M2
MF148, 165, 168, MF185, 188, MF200, 300, MF500, 600 Series	Mk III	1810860M93	1868435M3	1810678M91	1810680M93	1860038M1	180924M2	180925M2	897493M1	1664491M2
MF4200 Series		1810860M93	1868435M3	1810678M91	-	1860038M1	180924M2	180925M2	897493M1	1664491M2



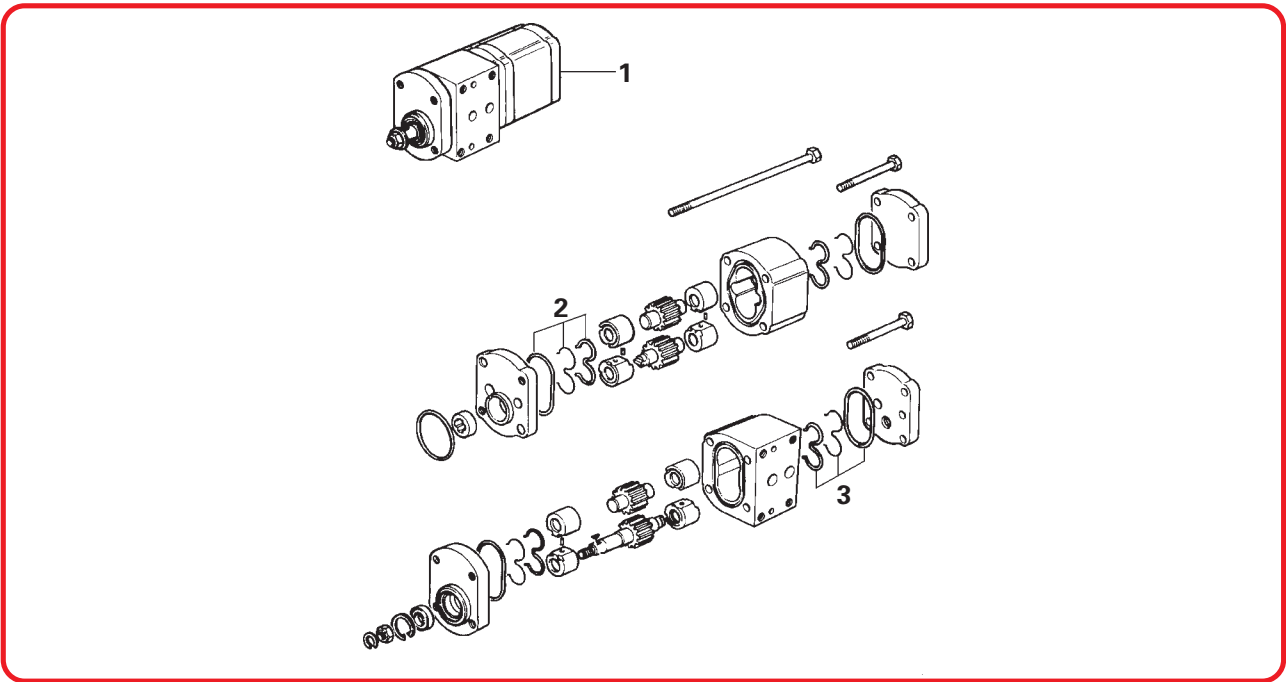

*i*
1
2
3

MF100 Series	MkII	-	1862486M96	-
MF100 Series	MkII <sup>10</sup>	1684582M92	1684548M91	1000251M1
MF100 Series	MkII <sup>21</sup>	1684583M92	1684548M91	1000251M1
MF100, 200, 500, 600 Series	MkIII	1683301M92	1681789M91	1000251M1
MF300 Series		3614362M93	3611085M91	1000251M1
MF100, 200, 300 Series ①		3539857M91	-	-
MF4200 Series		3800476M91	3611085M91	3613193M1



MF2000, 3600 Series  
 MF8110, 8120, 8130,  
 MF8140, 8150, 8160  
 MF8170

3790722M1 837298M91  
 3716370M3 3902614M91

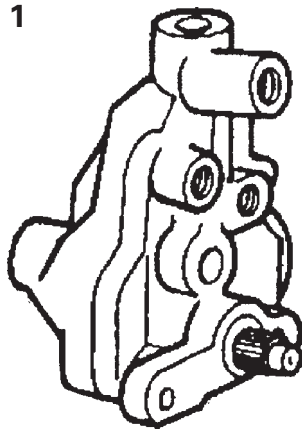


MF3000, 3100, 6100 Series

3382280M1

3100439M91

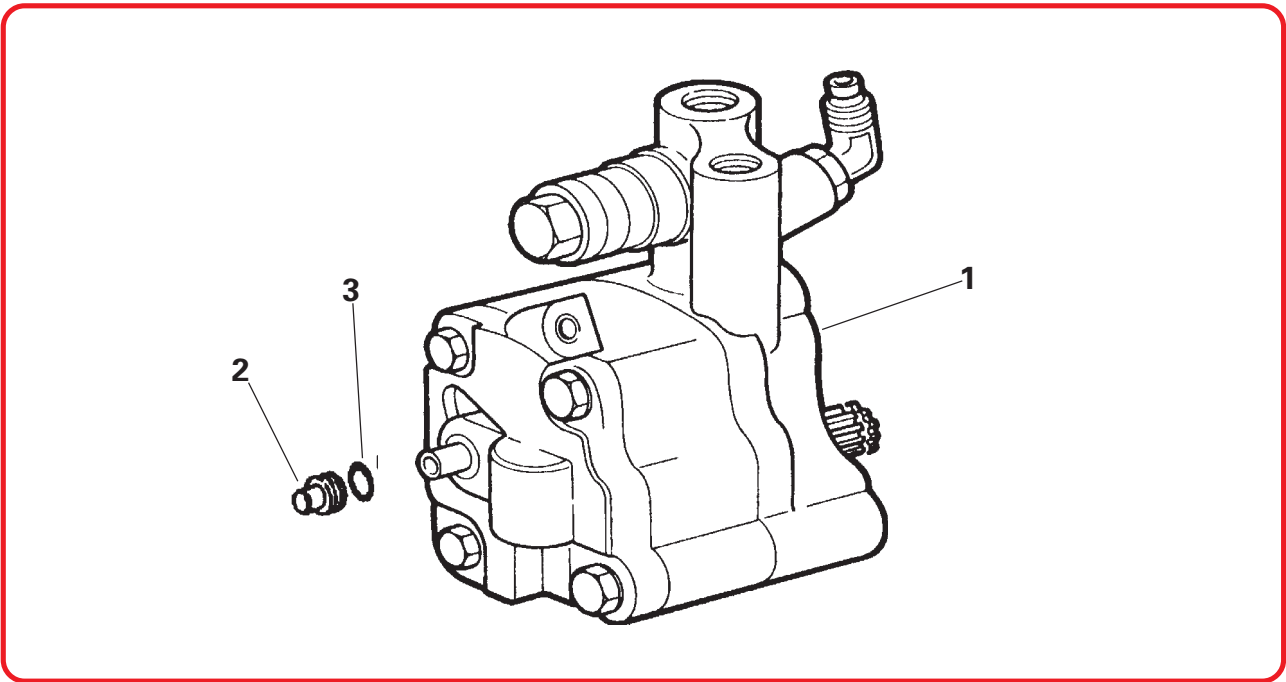
3104971M91



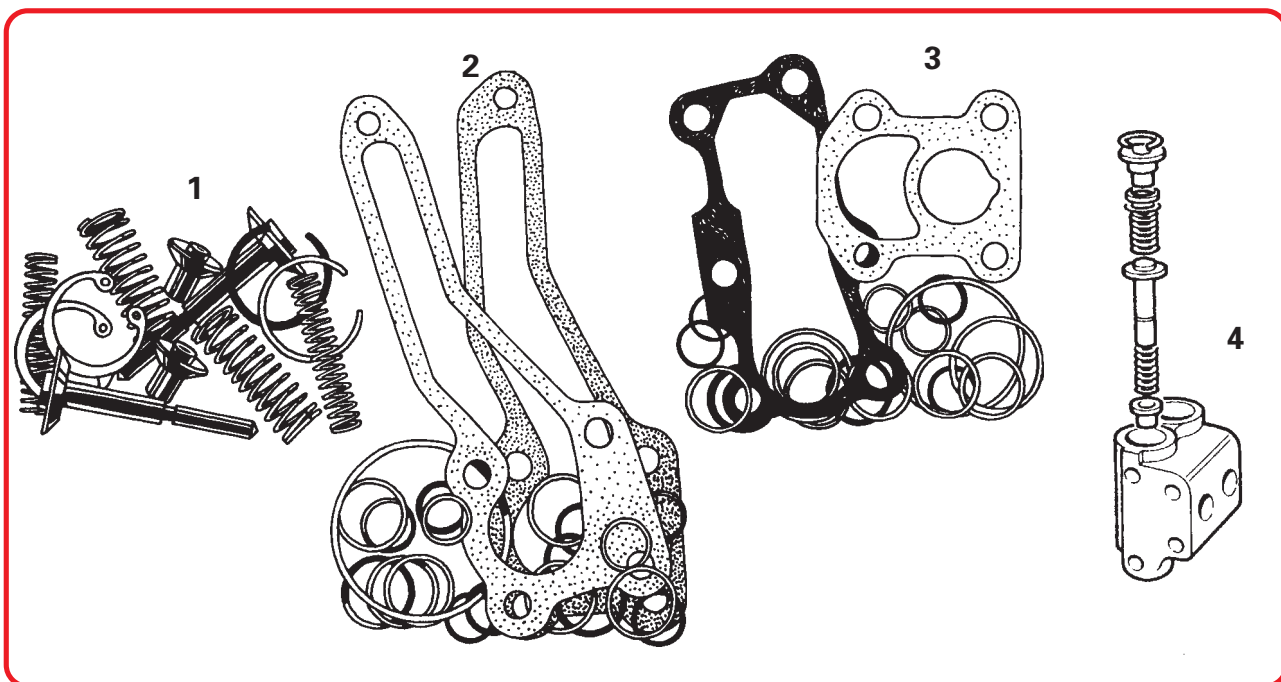
1

MF135, 152, 165, 200, 500, 600 Series MULTIPOWER

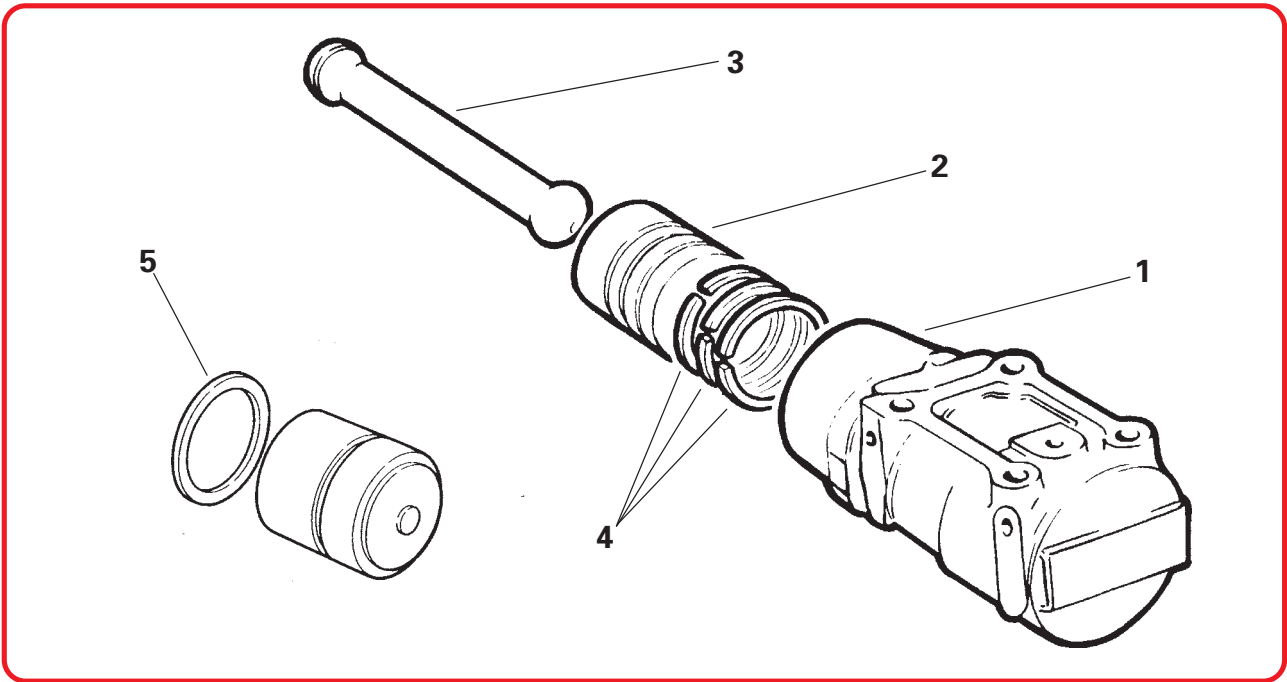
886821M94



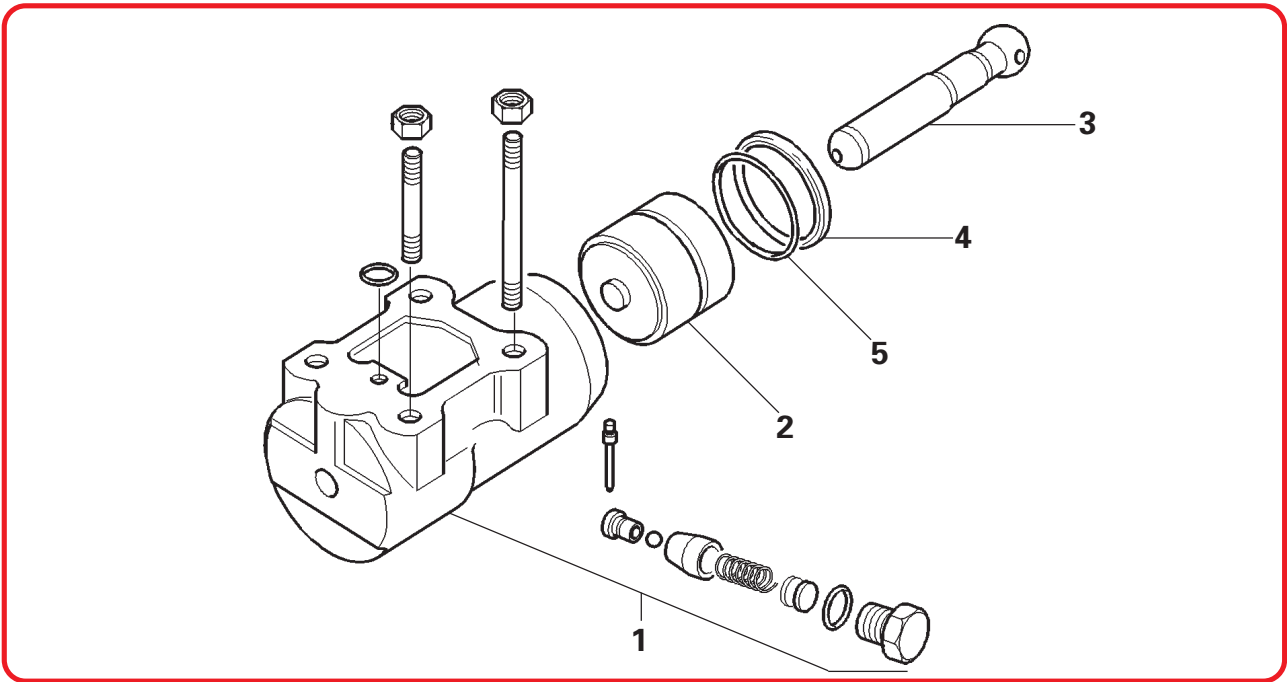
MF100, 200, 500, 600 Series 1686766M91 1664509M1 3000417X1



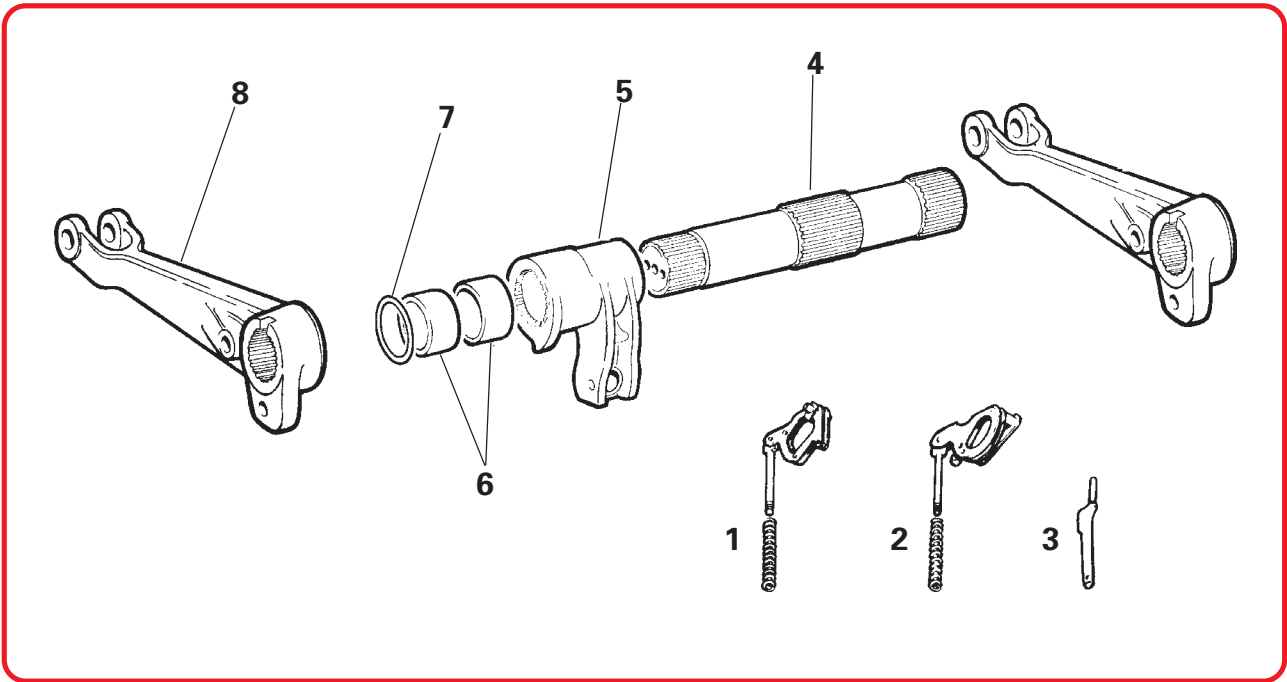
1810678M91		1810684M92		1810680M93		3699709M91	
180927M2	2	189366M1	1	195876M1	1	180927M2	4
180928M1	2	195876M1	1	196174M1	1	180928M1	4
180930M2	2	359001X1	4	359002X1	1	180930M2	4
518359M1	2	359002X1	2	377494X1	4	1660116M1	4
827718M2	2	831452M1	2	377497X1	1	1868435M3	2
1660116M1	2	831519M1	10	377502X1	2	1868741M1	4
1868743M1	2	831528M1	4	377543X1	1	1868742M1	4
		831907M1	1	831528M1	4	1868743M1	4
		1868742M1	4	1007240M1	1	1870849M1	4
		1869608M1	1	1442621X1	1		
		1870849M1	4	1868456M1	1		
				1868742M1	4		
				1869529M2	1		
				1870849M1	4		



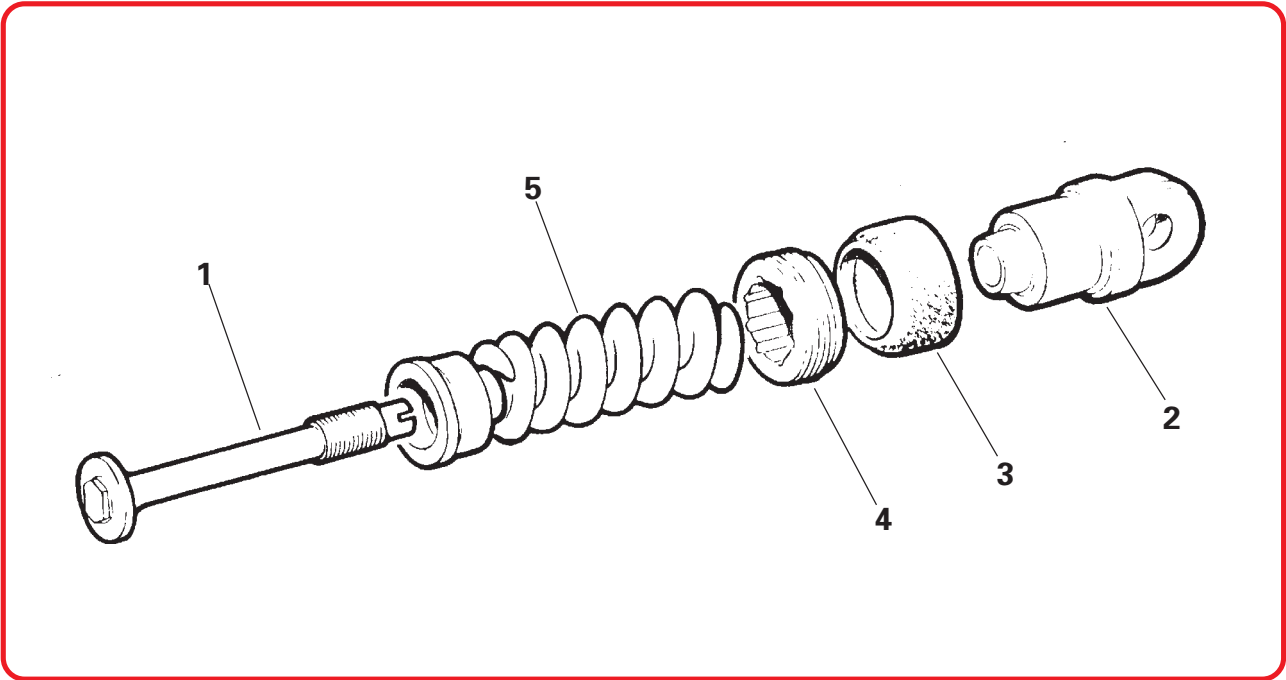
MF135, 148, 165, 152, 230, MF240 → 522353 MF250, 200 Series (F), 550	897560M3	1665737M91	886410M1	897564M1	-
MF265 → 93552, 550, 560	1671082M1	1665738M91	886410M1	897564M1	-
MF275, 290, 500, 600 Series	1671082M1	1665738M91	886410M1	3761477M1	3761474M1
MF230, 240, 253, 340	3599900M1	3595804M92	3610356M2	3761478M1	3761475M1
MF300 Series	3599859M1	1693921M93	3610356M2	3761476M1	3761473M1



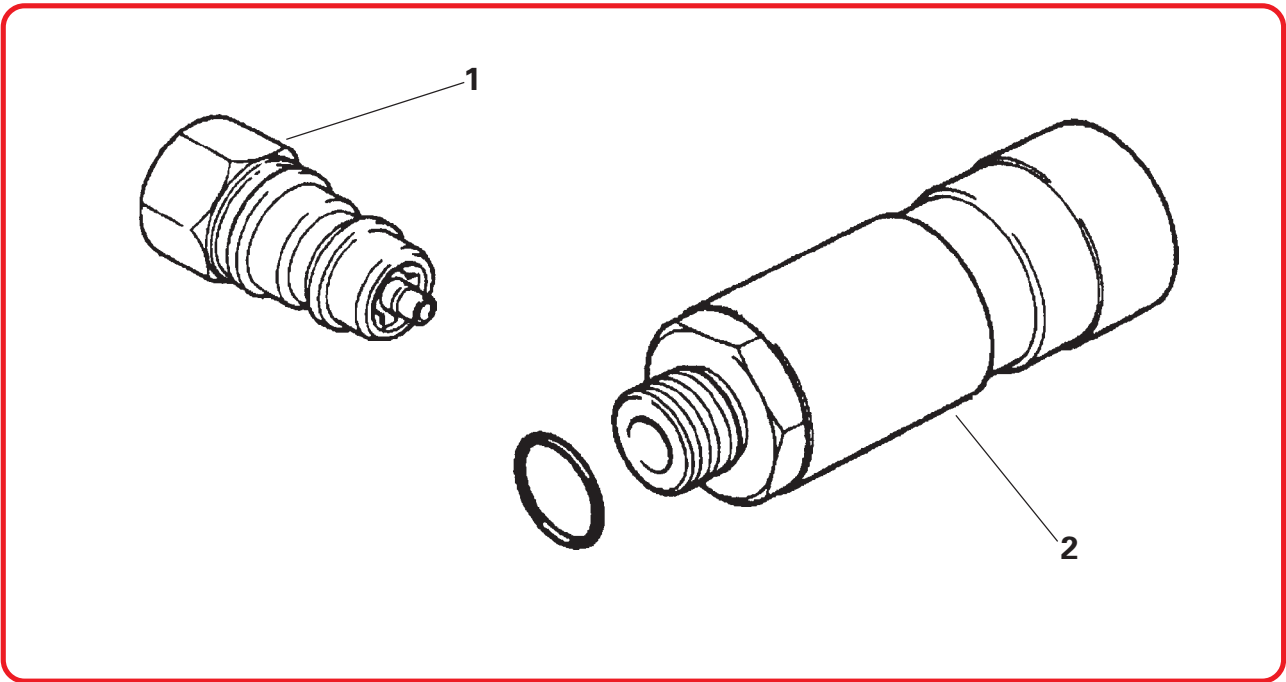
MF4215, 4220		3599859M1	3808136M1	3808161M1	3761476M1	3761473M1
MF4225, 4235	Hydraulic lift	3599859M1	3808136M1	3808161M1	3761476M1	3761473M1
MF4245, 4255	Electronic lift	3800263M91	3808136M1	3808161M1	3761476M1	3761473M1
MF4260, 4270	Electronic with creeper	3813957M91	3808136M1	3808161M1	3761476M1	3761473M1



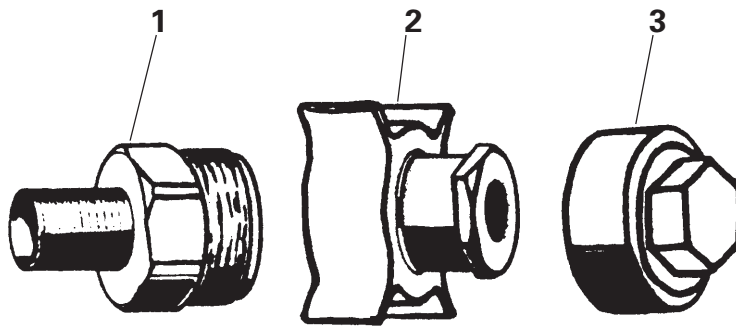
MF135, 148, 165, MF230, 240, MF250, 550	1661918M91	1660324M91	898124M1	897567M3	886405M1	1870934M1	359136X1	885444M91
MF100, 200, 500, MF600 Series	1661918M91	1660324M91	898124M1	897567M3	886404M2	1870934M1	359136X1	-
MF300 Series → P51120	1661918M91	1660324M91	898124M1	897567M3	3610357M2	1870934M1	359136X1	885444M91
MF300 Series → P51121	1661918M91	1660324M91	898124M1	897567M3	3610357M2	3611558M1	3000789X1	885444M91
MF4215, 4220	1661918M91	1660324M91	898124M1	3810970M1	3801057M1	3823624M1	-	3817639M91>
MF4225, 4235								3817639M91<
MF4245, 4255								
MF4260, 4270	1690886M91	1690884M91	516574M1	3810970M2	3801057M1	3823624M1	-	3817639M91> 3817639M91<



MF100, 200, 300, 500, 600 Series	886348M2	1863389M1	887654M2	180979M2	182582M1 1661755M2 (HD)
MF4215, 4220	886348M2	3811264M1	3811265M1	3811263M1	182582M1
MF4225, 4235, 4245, 4255, MF4260, 4270	886348M2	3811264M1	3811265M1	3811263M1	1661755M2




BSP 1/2"	3406706M1	3406707M1			
BSP 3/8"	3406708M1	3406709M1			
	Probe				
1/2"	1684473M1	1081473M91	1680263M1	3794298M1	589248M1
	1/2"	3/4" - 16	3/4" - 16 JIC	M22 - 1.5	3/4" - 16



1

2

3

'Dowty'	646670M91	646663M91	646669M1
'Exactor'	1884291M91	1884290M91	817630M1
	909024M1	958826M1	3616259M1